

PIONEER



STOVES

Quality, Handcrafted,
Woodburning Cookstoves and Heaters

Who is Pioneer Stoves?

The Pioneer Stoves story begins back in the 1970's on a dairy farm in Southern Ontario. Two Amish brothers were trying to make a living from their partnership hand milking Holstein cows. The younger of the two, Mark Stoll, had just returned with his wife and young family after having spent ten years in the small Central American country of Honduras.

Mark and his wife moved into the small tenant house on the farm. Being Amish, they of course had no electricity, phone, TV, etc. Mark's wife needed a cookstove for preparing food, and they also needed some way to heat the house. It did not seem reasonable to put two stoves into the small house, yet there was no stove available that would efficiently heat the house besides doing the cooking and baking.

After much discussion, Elmo and Mark decided to design a heater/cookstove combination. They called this stove the Pioneer Maid. The Pioneer Maid was the first airtight cookstove ever built that utilized the efficient downdraft air intake. The Pioneer Maid instantly became a hit among the Amish people and soon word got around and the general public began buying it as well.

Elmo and Mark called their newly formed company Suppertime Stoves. Suppertime Stoves is still alive and well today, being owned and operated by Mark and two of his sons-in-law.

Two of Elmo's sons took their family's share of the stove manufacturing business with them when they moved to the rugged backcountry of Caneyville, Kentucky to join the Caneyville Christian Community. At Caneyville, sharing a two hundred acre property with thirteen other families, they formed the little sister to Suppertime Stoves, Pioneer Stoves.

In 2016 the Hess family, who had been involved with the stove business since it started there in 2006, moved to Greencastle, PA. By the end of 2018 most of the stoves were being welded here, and on January 1, 2021 the entire business had moved here as well.

Pioneer Stoves is now being operated by the Hess and Garber families and is continuing its tradition of providing work for a number of local church families. Much of the part making is subbed out to other small family shops. The parts are then brought together on the Garber farm, where the Pioneer Stoves shop is located, to be assembled and shipped.

All of us are thankful for the opportunity we've been given to have work close to home building something we feel is useful and supportive to simpler homes and lifestyles.



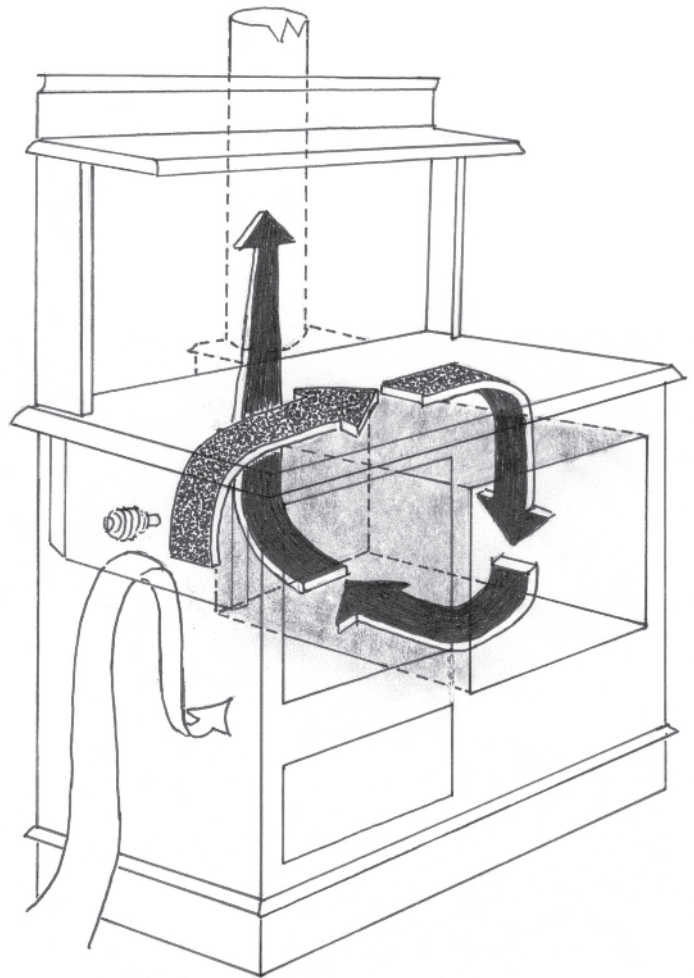
Old Fashioned Multi-Tasking

Our Pioneer Cookstoves are finding their way into an ever increasing number of homes. We ship north to Alaska and south as far as South Africa! There are homes hundreds of miles north of the Canadian border that are being heated solely by a Pioneer Cookstove, even though they measure well over 2,000 square feet.

There are several reasons the Pioneer produces so much heat. Part of the secret is our efficient down-draft design.

When you close the flue damper slide it directs the hot flue gases over the top of the oven, downward by the right side, beneath and toward the front of the oven, before finally exiting through the flue at the rear. This long circuitous path the flue gases are forced to take coaxes much of the heat from the flue gases that would otherwise escape up the chimney and be wasted. Closing the flue damper slide directs heat by five sides of the oven, browning your bread beautifully. When you are not using the oven for baking you can open the oven door, turning the oven into an auxiliary heat exchanger.

Given the Pioneer design, don't hesitate to expect performance out of your stove. If your home is well insulated, your cookstove will be the only heat source you need. If you live in one of those older, drafty farmhouses, you will find yourself relying on your furnace or heating stove only during the coldest months of the year.



Warming Closets

Our cookstoves come standard with a warming shelf, but we do offer a warming closet as an option.

The closet is only 8 inches high by 11 inches deep with sliding doors which are available in Porcelain coated steel, or lightly tinted glass. The glass adds an extra touch of class to your stove, but if you like having a ready nook to store some of your dishes and

skillets, you may want to choose the solid doors in order to hide the clutter.

We find that the closet temperature stays high enough to keep our coffee and hot dishes hot while the family is gathering around the table.

No matter which stove you choose, you may want to consider adding a warming closet both for its usefulness and the added charm.

The Best of Both Worlds

The emergence of the Pioneer Maid airtight cookstove was a major breakthrough in the cookstove world. The Pioneer Maid offers the standard features that have made cookstoves popular for generations, yet removes the design flaws that were inherent in the old, non-airtight models.

The Pioneer Maid pioneered the concept of a downdraft firebox, permitting unprecedented control in a cookstove.

The Pioneer Princess is a full sister to the Pioneer Maid. The Princess was developed in response to a steady flow of requests from loyal Pioneer Maid owners for some additional user friendly features.

We added a front loading door to the firebox, while retaining the round lid on top. This allows you the versatility of adding wood either through the top lid or by the front door.

We slightly enlarged the firebox, and we added an automatic draft control. While the Pioneer Maid was always easy to control, we took the control thing to the next level with the Princess. A bimetal coil spring monitors the stove temperature and adjusts the air intake valve to keep the Princess at a more even temperature.

With all these features and the option of a glass fire door the Princess became popular enough we discontinued the Maid in 2021.

With the traditional style of cookstove, it was difficult to hold fire overnight. With a Pioneer Stove, it is easy. If you have been firing your stove during the day, you can hold an overnight fire by just adding a few dry scraps of lumber from a pallet you have torn apart.

This sounds too good to be true, but the explanation is simple: since the stove is airtight, when you close the draft, your fire burns down to coals and then glows for hours. As soon as you stir up the coals, add dry wood, and open the air intake, you will have fire again.

Of course, you will want to do this only during the seasons of the year when no heat is needed in the kitchen except for cooking and baking. In the winter time you will certainly want to add wood in the evening and wake up the next morning to a kitchen that is toasty warm and inviting.

Large Firebox

Traditionally, cookstoves have tended to have small fireboxes. Wood had to be split into small pieces and added to the fire frequently.

The Pioneer Princess and Duchess are large enough to hold several pieces of firewood up to 20 inches long. The fireboxes are lined with either extra thick custom refractory brick or the optional Stainless steel bricks.

The refractory brick insulates the burn chamber and maintains a higher combustion temperature making for a more efficient burn while protecting the steel walls.

The stainless bricks don't hold the heat as well as the refractory brick but have the advantage of not cracking or getting broken by firewood thrown in too roughly. Either type are replaceable and interlock to stay in place.

Lots of Hot Water

The Pioneer Stoves are available with or without a water reservoir. The water reservoir is a holding tank located at the right end of the stove just below the cooktop, or behind the stove, setting above the cooktop. It simply acts as a holding tank located along the path of the hot flue gases, and thus the water in the reservoir is heated.

Traditionally, water reservoirs were made of porcelain coated steel, which is easy to clean, but eventually the porcelain coating breaks down and the reservoir leaks. Our reservoirs are constructed of 304 stainless steel, making them both easy to clean and durable.

The water heats to very nearly boiling temperature, hot enough for household washing and bathing use. (Using the reservoir to heat water for cooking and drinking is not recommended. That is best done with a kettle on the stove top or with the optional hot water coil.)

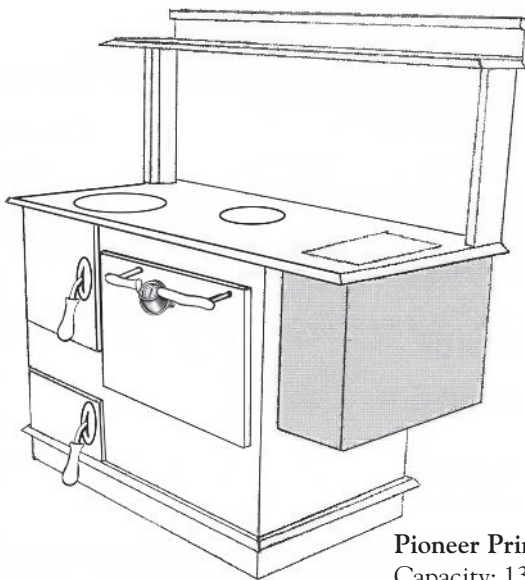
The end reservoir is filled through the 7 ½" x 11" opening in the cooktop. The hot water can be dipped back out through the same opening, or drained via a spigot below. The end reservoir model stoves require slightly more space in your kitchen than do the back reservoir or standard models. If you have a large kitchen and space is no problem, you may wish to consider the end reservoir. Aside from the capacity to heat a reserve of water, we find that the extra cooktop space on top of the end reservoir is often worth more than the additional cost of the reservoir, as this provides a convenient spot to push

pots and pans when a very low heat is desired.

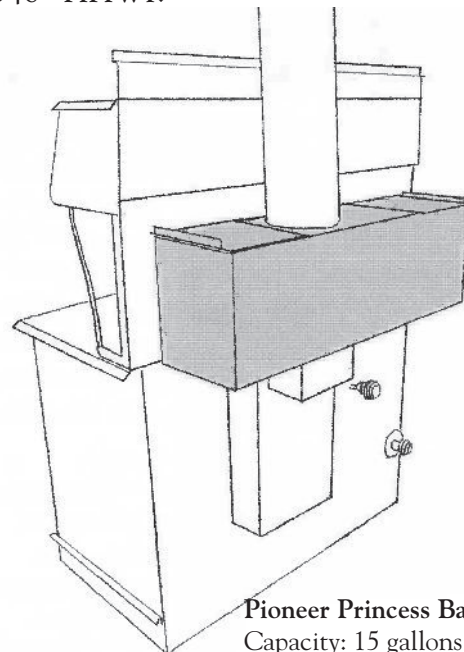
The back reservoir is also filled through a hole in the reservoir top, in this case there is an access hole in each end of the top, making the reservoir accessible from either end of the stove. There are also openings in the bottom of the back reservoir, one at each end, allowing you to attach a spigot wherever you desire. Because the back reservoir sets above the cooktop, dipping water out of the top is inconvenient.

If you have your house plumbed with running water, you may want to use a water coil to heat your domestic hot water. The coil is a U shaped length of stainless pipe that extends into the stove, adjacent to the firebox. The coil is connected to an insulated water storage tank. (A modified electric water heater is most commonly used.) Cold water enters the coil at the lower level, and as it is heated, it circulates around the coil and rises to the top of the tank via the upper pipe. The hot water is then piped to your faucets just as it would be in a standard electric or gas system.

If you are not familiar with this type of convection water heater, you should read 'Hot Water from your Woodstove' before you attempt to install one. Although these heaters are simple in design and safe to operate, **if improperly installed they could explode with disastrous results.** 'Hot Water from your Woodstove' is available from Lehman's 1-877-438-5346 #HHWF.



Pioneer Princess End Reservoir
Capacity: 13 gallons



Pioneer Princess Back Reservoir
Capacity: 15 gallons

Domestic Water Coil

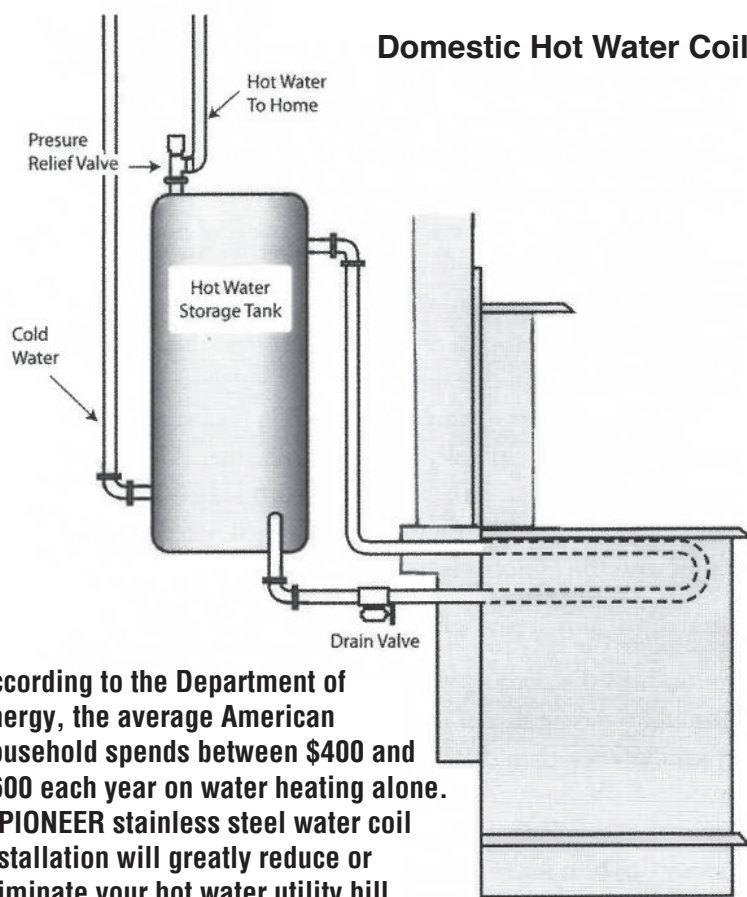
Use at least $\frac{3}{4}$ " pipe in the loop from the tank to the stove and back. A 15016 pressure and temperature relief valve must be used on the top of the storage tank. All pressure relief valves must be piped to a drain. If entering through the top of the tank with your hot water from the coil, a 150 PSI air vent must be used at the highest point in that line.

Be sure there are not ups and downs in the cold water line to the water coil. It is a good idea to give all the pipes from the stove to the tank a slight uphill slant so no air will become trapped in the lines. Also watch that there are no gate valves between the coil and the storage tank for best performance.

Please read instructions before beginning work.

Remove the bolts that hold the plugs into place that seal the holes at the rear of firebox designed for installation of coil.

The water coil must be placed inside the firebox, and the ends pushed through the holes you have just unplugged.



According to the Department of Energy, the average American household spends between \$400 and \$600 each year on water heating alone. A PIONEER stainless steel water coil installation will greatly reduce or eliminate your hot water utility bill.

The Thermosyphon System

The thermosyphon or convection system is the most basic, dependable and fool proof method of heating water with our cookstove. It uses the principle that hot water rises and circulates water from the storage tank to the stove and back. Cold water from the bottom of the tank falls into the water coil where it is heated, and rises back into the top of the tank. This is often referred to as a gravity system and if properly set up, will work automatically, putting hot water into your water heater or storage tank any time there is heat in your stove.

In order for this system to work, your tank must be a minimum of one foot above the cold water inlet on your water coil for every two feet your tank is away from the stove. For this system to work properly, your tank should not be located further than eight feet from your water coil.

Cleaning The Water Coil

Lime deposits should be cleaned from the interior of the water coil at least once a year, or when water heats up slower than normal. One method that works well is to remove the coil from the stove and lean up outside with the pipe ends up. Fill with muriatic acid and let sit. Rinse with water and repeat if needed. Stay back from the fumes.

Footnote

The hot water coil is not a UL/ULC approved attachment.

Pioneer Duchess



CHROME PACKAGE

BLACK LEGS



Black Package includes:
Rail, Thermometer
Bracket and Legs

SPRING HANDLES

Optional on fire box
and ash doors



With the reputation of the Princess solidly established, we began designing a new model to add to our cook stove lineup. The **Pioneer Duchess** is an upgrade from the **Princess**; however the burn system remains the same.

- 1) The most obvious difference is the legs. By lifting it off the floor, you can reach completely underneath for easy cleaning, also an adjustable leg is provided to eliminate rocking on uneven floors.
- 2) In the extra space below the oven, we added a storage drawer and enlarged the door panels to eliminate the need of a front porcelain panel.
- 3) We constructed an air louver system in the ash door that's controlled by a lever extending out of the top to replace the auxiliary draft as used on the Princess.
- 4) The thermostat's bimetal coil spring is placed in the oven so we get exact oven temperature response.
- 5) The oven door has a broil stop that will hold the door open 2" by itself. It also can be removed by a screwdriver holding the spring arm then lifting it off with your hands.
- 6) The left and right porcelain panels spaced away from the stove wall 5/8". This allows natural convection to occur as air in the space heats up and rises pulling cooler air in from off the floor.

With all this, we believe the **Duchess** is everything the next generation of Pioneer customers will be looking for in a stove.

Pioneer Princess



STAINLESS TRIM

FEATURES

- Thermostat controlled
- Overnight burn
- Large firebox
- Quality liners
- Welded construction
- Durable stainless steel
- Roomy oven
- Smooth top
- Porcelain finish
- Stainless Trim
- Downdraft efficiency
- Space heater
- Shaker grate
- Easy ash removal
- Front loading door
- Auxiliary draft
- Warnock Hershey U.L./U.L.C.



BLACK TRIM

SPECIFICATIONS

	With End Reservoir	Without End Reservoir		With End Reservoir	Without End Reservoir
Dimensions			Fire Box Dimensions		
Length	54"	45"	Length	18 1/2"	18 1/2"
Width	28 1/2"	28 1/2"	Width	13 1/2"	13 1/2"
Height	53 1/2"	51 1/2"	Depth	18 1/2"	18 1/2"
Cooking Surface			Flue		
Length	52"	43"	Size	7" round	7" round
Width	22 1/2"	22 1/2"	Location	rear	rear
Height	32 1/2"	32 1/2"	Shipping		
Oven Dimensions			Weight	650 lbs	600 lbs
Depth	22"	22"	Approximate Area Heated		
Width	19 1/2"	19 1/2"		2000 sq. ft.	2000 sq. ft.
Height	13"	13"	Options		
Hot water coil / Super Coil					
Hot water reservoir: end / back					
Black trim, warming closet, Glass Fire Door					

Black Package includes:
Rail, Thermometer
Bracket and Trim

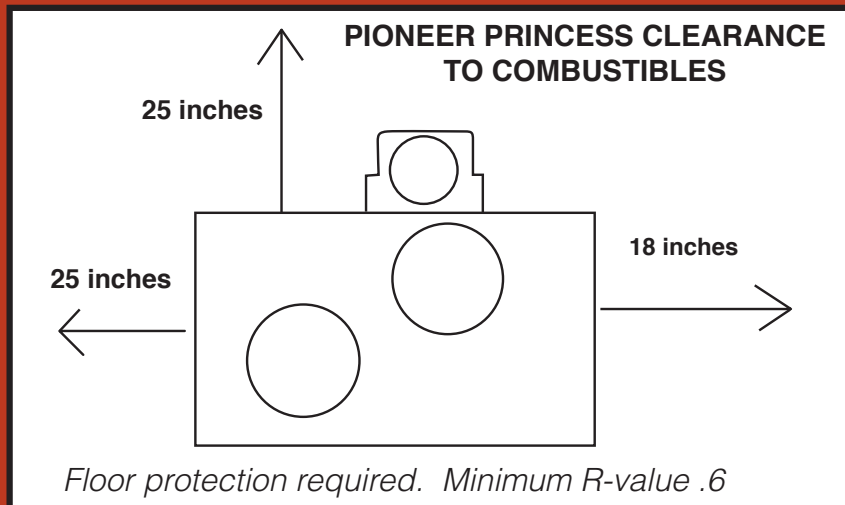
SPRING HANDLES

Optional on fire box
and ash doors



Deluxe Features

The Princess has proven itself over the years and with the recent improvements on the door latches, oven thermometers, and various other items, has taken over nearly all our sales. With three models to choose from and the optional accessories, any customer looking for a reliable cookstove should find something to fit their needs.



MODEL PIONEER PRINCESS LISTED SOLID FUEL ROOM HEATER/ FIREPLACE STOVE
MODÈLE PIONEER PRINCESS CLASSÉ SOUS APPAREIL DE CHAUFFAGE D'APPOINT/FOYER-POÊLE.

CERTIFIED TO UL 1482-2011 (R2020) / IULC 5627-2006 (R2020) and INTERTEK VERIFÉ A UL 1482-2011 (R2020) and IULC 5627-2006 (R2020) MW 1600

WH-0000001

PREVENT HOUSE FIRES - INSTALL AND USE ONLY IN ACCORDANCE WITH THE OWNER'S MANUAL PROVIDED WITH THIS APPLIANCE. CONTACT LOCAL BUILDING OR FIRE OFFICIALS ABOUT RESTRICTIONS AND INSTALLATION INSPECTIONS IN YOUR AREA.

ÉVITER DES INCENDIES DES MAISONS - INSTALLER ET UTILISER L'APPAREIL SECON LE GUIDE DU PROPRIÉTAIRE FOURNI AVEC CET APPAREIL. CONTACTER LES RESPONSABLES LOCAUX DE LA CONSTRUCTION ET DES INCENDIES QUANT AUX RESTRICTIONS ET AUX INSPECTIONS DES INSTALLATIONS DANS VOTRE RÉGION.

INSTALLATION REQUIREMENTS: DO NOT CONNECT THIS UNIT TO A CHIMNEY FLUE SERVING ANOTHER APPLIANCE. USE A RESIDENTIAL LINED MASONRY OR LISTED TYPE HT FACTORY-BUILT CHIMNEY. USE 2x4 MSG BLACK CHIMNEY CONNECTOR OR LISTED DOUBLE WALL CHIMNEY CONNECTOR. REFER TO LOCAL CODES AND THE CHIMNEY MANUFACTURER'S INSTRUCTIONS FOR PRECAUTIONS REQUIRED FOR PASSING A CHIMNEY THROUGH A COMBUSTIBLE WALL OR CEILING. PLACE ON NON-COMBUSTIBLE FLOOR PROTECTION WITH A MINIMUM R VALUE OF 0.60, WHICH EXTENDS 16 INCHES (405 MM) FROM THE FRONT AND 8 INCHES (203 MM) TO EACH SIDE OF THE FUEL OPENING, AND 2 INCHES BEYOND EITHER SIDE OF THE CHIMNEY CONNECTOR. DO NOT OBSTRUCT THE SPACE BENEATH THE HEATER. ADHERE TO THE FOLLOWING MINIMUM CLEARANCES TO COMBUSTIBLES WHEN USING A SINGLE WALL CHIMNEY CONNECTOR. SEE OWNER'S MANUAL FOR ADDITIONAL CLEARANCE INFORMATION.

CONDITIONS DE L'INSTALLATION: NE PAS CONNECTER CET APPAREIL À UN CONDUIT DE FUMÉE QUI SERAIT À UN AUTRE APPAREIL. UTILISER DE LA MAÇONNERIE DOUBLE MUR RESIDENTIEL OU UNE CHIMNÉE PRÉFABRIQUÉE DE TYPE HT. UTILISER UN CONNECTEUR DE CONDUIT N°2x4 MSG OU UN CONNECTEUR DE CONDUIT À DOUBLE MUR POUR LE MUR. VÉRIFIER LES CODES LOCAUX DE LA CONSTRUCTION ET LES INSTRUCTIONS DU FABRICANT DE LA CHIMNÉE POUR LES PRÉCAUTIONS À OBSERVER POUR FAIRE PASSER UNE CHIMNÉE PAR UN MUR OU UN PLAFOND COMBUSTIBLE. POSER L'APPAREIL SUR UN PROTÈGE-PLANCHER NON COMBUSTIBLE D'UNE VALEUR MINIMALE DE R 0,60 QUI EXCÈDE L'APPAREIL DE 405 MM (16 POUCES) EN AVANT; DE 203 MM (8 POUCES) CHAQUE CÔTÉ DE L'OUVERTURE POUR LE COMBUSTIBLE ET DE 203 MM (8 POUCES) CHAQUE CÔTÉ DU CONNECTEUR DU CONDUIT DE FUMÉE. NE PAS OBSTRUER L'ESPACE SOUS LE POÊLE. OBSERVER LES DISTANCES MINIMALES SUIVANTES AUX COMBUSTIBLES AVEC UN CONNECTEUR DE CONDUIT D'UNE SEULE PARI AU MUR. VOIR LE GUIDE DU PROPRIÉTAIRE POUR DES INFORMATIONS PLUS AMPLES SUR LES DISTANCES MINIMALES.

FLOOR PROTECTION (diagram) **PROTÈGE-PLANCHER** (diagram)

A - UNIT TO BACKWALL - 25-INCHES (635-MM)
B - UNIT TO LEFT SIDEWALL - 25-INCHES (635-MM)
C - UNIT TO CORNER WALL - 18-INCHES (457-MM)
D - UNIT TO RIGHT SIDEWALL - 18-INCHES (457-MM)
E - FLOOR PROTECTION SIDE - 8-INCHES (203-MM)
F - FLOOR PROTECTION FRONT - 16-INCHES (405-MM)
BACKWALL TO CHIMNEY CONNECTOR - 46-INCHES (1168-MM)
BACKWALL TO CHIMNEY CONNECTOR - 20-INCHES (508-MM)

A - APPAREIL AU MUR DU FOND - 635 MM (25 POUCES)
B - APPAREIL AU MUR À GAUCHE - 635 MM (25 POUCES)
C - APPAREIL AU MUR AU COIN - 457 MM (18 POUCES)
D - APPAREIL AU MUR À DROITE - 457 MM (18 POUCES)
E - PROTÈGE-PLANCHER CÔTÉ - 203 MM (8 POUCES)
F - PROTÈGE-PLANCHER AVANT - 405 MM (16 POUCES)
MUR DU CÔTÉ AU CONNECTEUR DE CONDUIT - 1168 MM (46 POUCES)
MUR DU FOND AU CONNECTEUR DE CONDUIT - 508 MM (20 POUCES)

OPERATION REQUIREMENTS - FOR USE WITH SOLID WOOD FUEL ONLY. DO NOT OVERFIRE, IF HEATER OR CHIMNEY CONNECTOR GLOWS YOU ARE OVERFIRING. INSPECT AND CLEAN CHIMNEY FREQUENTLY. UNDER CERTAIN CONDITIONS OF USE CREOSOTE BUILDUP MAY OCCUR RAPIDLY. DO NOT USE GRATE OR ELEVATE FIRE. BURN WOOD FIRE DIRECTLY ON HEARTH, RISK OF SMOKE AND FLAME SPILLAGE, OPERATE ONLY FULLY CLOSED.

CONDITIONS DE RÉUTILISATION - UTILISER UN BOIS SOLIDE SEULEMENT COMME COMBUSTIBLE. NE PAS SURCHAUFFER. SI LE POÊLE OU LE CONDUIT DE FUMÉE LUMÈRE, VOUS SURCHAUFFEZ LE POÊLE. INSPECTER ET NETTOYER FREQUENTMENT LA CHIMNÉE. LA CRASSE PEUT S'ACCUMULER RAPIDEMENT DANS CERTAINES CONDITIONS. NE PAS UTILISER UNE DRILLE OU ÉLÉVER LE FEU. BRÛLER LE BOIS DIRECTEMENT SUR LÂTÈRE. IL Y A RISQUE DE DÉVERSEMENT DE FUMÉE ET DE FLAMMES. FAIRE FONCTIONNER LE POÊLE SEULEMENT FERMÉ COMPLÈTEMENT.

CAUTION - HOT WHILE IN OPERATION, DO NOT TOUCH. KEEP CHILDREN, CLOTHING, AND FURNITURE AWAY. CONTACT MAY CAUSE SKIN BURNS. SEE NAMEPLATE AND INSTRUCTIONS.

ATTENTION - CHAUD AU SERVICE. NE PAS TOUCHER. GARDER LES ENFANTS, LES VÊTEMENTS ET LES MEUBLES À DISTANCE. LE CONTACT PEUT CAUSER DES BRÛLURES DE LA PEAU. VOIR LA PLAQUE DU FABRICANT ET LES INSTRUCTIONS.

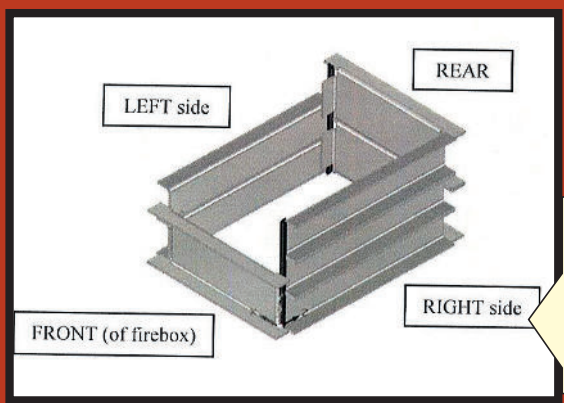
MANUFACTURED BY/FABRIQUÉ PAR: PIONEER STOVES
 9289 ANTRIM CHURCH ROAD
 GREENCASTLE, PENNSYLVANIA 17225

DATE OF MANUFACTURE/ DATE DE FABRICATION:

- Front Load Door**
more convenient loading
- Shaker Grate**
- Ash Door**
easy ash removal
- Auxiliary Draft**
- Thermostat Control**
more even heat
helps prevent overheating
helps maintain firebed overnight

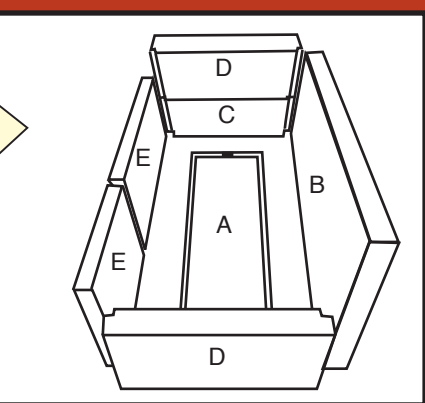
End Water Reservoir
capacity: 13 gallons

Back Water Reservoir
capacity: 15 gallons

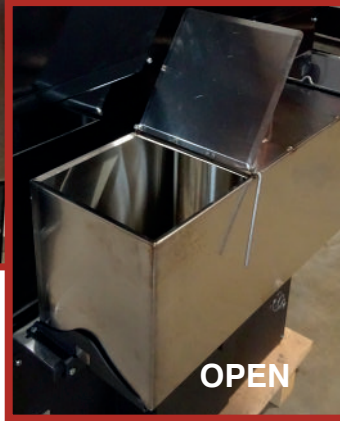


- PIONEER PRINCESS REFRACTORY BRICK SET**
- A Grate
 - B 11 x 18 x 2 Brick
 - C 4.5 x 13.5 x 2.5 Notched Brick
 - D 6 x 13.5 x 2.5 Notched Brick
 - E 7 x 9 x 1.5 Brick

- PIONEER PRINCESS STAINLESS STEEL BRICK SET**
- 3 5.25 x 15 End Brick
 - 5 3.5 x 18.25 Side Brick
 - 2 10.5 Retainer Angles

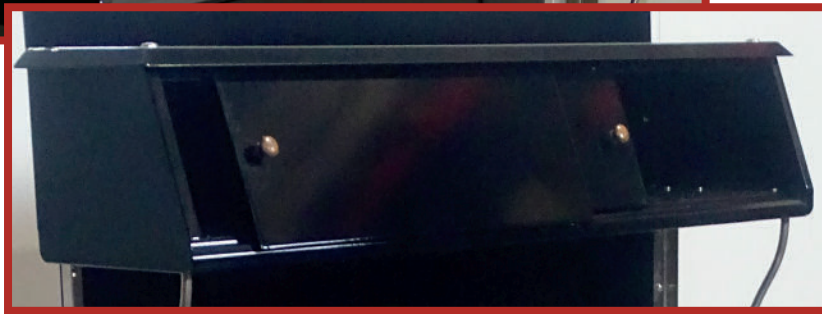
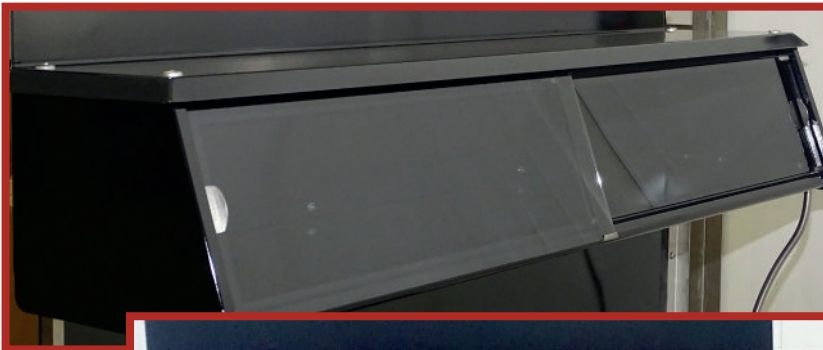


Stove Accessories



BACK RESERVOIR

Can be built on stove or
installed later



WARMING CLOSET

with

Glass Doors

or

Porcelain Doors



FLAME VIEW DOOR

with Nickle Trim

Stove Accessories



WATER COIL



SUPER COIL



STOVE TOP GRILLE



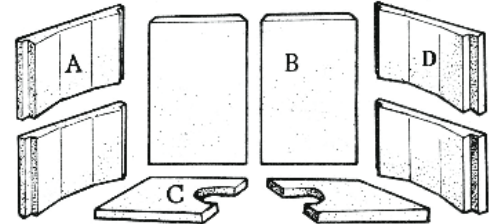
SUMMER GRATE

Pioneer Maid Cookstove



The Pioneer Maid is no longer in production. Replacement parts are still available.

Pioneer Maid Brick Set



Ten interlocking bricks line the firebox.
A. End bricks B. Side bricks C. Base bricks

PIONEER MAID FIRE BRICK

A	2 pcs	5.5 x 14	Back Bricks
B	2 pcs	9 x 11	Oven side Bricks
C	2 pcs	9 x 11	Bottom Bricks
D	2 pcs	7 x 14	Front Bricks
	2 pcs	7 x 9	Left side Bricks (not shown)

SPECIFICATIONS

	With Reservoir	Without Reservoir
Dimensions		
Length	52"	43"
Width	28 1/2"	28 1/2"
Height	53 1/2"	51 1/2"
Cooking Surface		
Length	50"	41"
Width	22 1/2"	22 1/2"
Height	32 1/2"	32 1/2"
Oven Dimensions		
Depth	22"	22"
Width	19 1/2"	19 1/2"
Height	13"	13"

	With Reservoir	Without Reservoir
Fire Box Dimensions		
Length	18 1/2"	18 1/2"
Width	11 1/2"	11 1/2"
Depth	18 1/2"	18 1/2"
Flue		
Size	7" round	7" round
Location	rear	rear
Shipping		
Weight	623 lbs	570 lbs
Approximate Area Heated		
	2000 sq. ft.	2000 sq. ft.

Pioneer Family of Stoves



Pioneer Duchess



Pioneer Princess



Pioneer Maid



Bakers' Choice



...When you really stop to think, a cookstove is one of the most sensible ideas man has ever put fire to — an invention that will cook your meals, provide hot water, bake your bread, roast your turkey, dry your mittens, warm your feet, and heat your home ...

Bakers' Choice - Economy Model Cookstove



FEATURES

WARMING CLOSET – The BAKERS' CHOICE comes with an optional warming closet. Handy to keep your food warm until mealtime or dry your mitts on a snowy day.

WATER RESERVOIR – The BAKERS' CHOICE comes with an optional hot water reservoir that mounts on the stove top at the back or on the end by the oven under a longer stove top with a lid over the tank. The back reservoir holds 7 US gallons. The side reservoir holds 7 US gallons.

PROS

AFFORDABLE - The economical design makes the Bakers' Choice affordable for those on a limited budget.

CONVENIENT - Fuel can be loaded through the top lid or the front loading door.

PERSONAL SIZED STOVE - The Bakers' Choice is the smallest stove in our lineup, making it suitable for those who don't have several strapping teenage sons to install their stove. The Bakers' Choice also heats up quickly with less fuel consumed, giving you your quick morning cup of coffee in short order.

CONS

RUB-A-DUB-SCRUB - We skipped the porcelain, opting for high heat black stove paint instead. This paint is high quality and will last for years, but it lacks the easy cleaning gloss of porcelain.

TEMPERAMENTAL - Weighing in at over 200 pounds less than its Pioneer cousins, you will find that the cooktop and oven temperatures tend to fluctuate more readily.

The Bakers Choice cookstove was designed in 1987 and redesigned to perfection in 2001. The Bakers choice is a great economical, trouble free choice that fits perfectly in your cottage, camp or smaller home.

SPECIFICATIONS

Dimensions

Length	36"
Width	24"
Height	53 1/2"

Cooking Surface

Length	34"
Width	21 1/2"
Height	32 1/2"

Oven Dimensions

Depth	22"
Width	14"
Height	12"

Fire Box Dimensions

Length	18 1/2"
Width	11 1/2"
Depth	14"

Flue

Size	7" Oval
Location	rear

Shipping Weight

380 lbs

Approximate Area Heated

2000 sq.

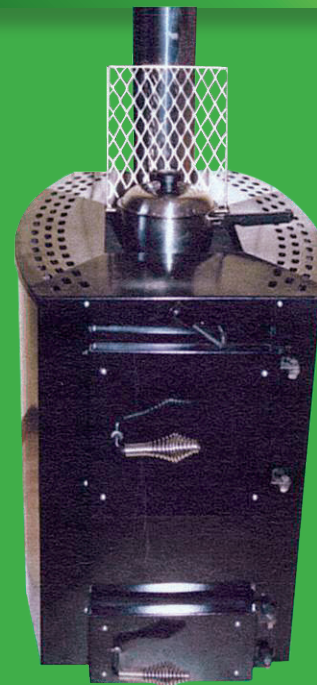
Options

Back or End Water Reservoir, Warming Closet

Warnock Hershey U.L. / U.L.C. Listed

Cunningham

What makes the Cunningham different from all the other stoves?



PRODUCT HIGHLIGHTS

1. Pleasingly symmetrical curved appearance
2. Even heat distribution
3. Fuel efficient
4. Thermostatic Heat Control

All of these features, you will find in the CUNNINGHAM heater:

- The CUNNINGHAM has a large firebox, easy ash removal, large fuel door, every part of the stove is replaceable.
- The CUNNINGHAM can be installed 20" from combustible walls, floor protection is 3/8" mill board equivalent.
- Ashes are easily removed through the front ash door. The CUNNINGHAM has a large ash pan.
- The primary combustion chamber is fire brick lined. The CUNNINGHAM also has a secondary combustion chamber for greater efficiency and cleaner exhaust.
- The CUNNINGHAM puts out 75,000 BTU's of heat.
- All the interior parts of the CUNNINGHAM are replaceable.

SPECIFICATIONS

Average Heat Output	75,000 BTU
Fuel Capacity	5 Cubic Ft.
Wood Length	18"
Recommended Fuel	Wood
Lining and Grates	louvers and firebrick
Body Material	14 ga. & 10 gau. & 3/16 steel
Fuel Door Opening	11 1/2" x 11 1/4"
Height (including smoke collar pipe)	35"
Smoke Collar Pipe	6"
Weight	440 lbs
Color Choice	• Black

Warnock Hersey / ULC 5627-M93 approved

A Warm Member of the Family



“I have a kindly word for cookstoves any day. Our cookstove is more than a stove — it is a member of the family. In the morning I awaken it before I call my wife. Here is where the eggs are fried, the oatmeal cooked, the bread baked, but more importantly, where our family gathers in a half circle to read aloud a book, to discuss the day’s events, mend socks, do homework, or sing an evening hymn. The cookstove greets each child with a warm embrace as he scrambles from bed in the morning, and bids him good night in the evening as he hangs up wet mittens before retiring.”

— “Quest For The magic Stove”, page 23/
THE HARROWSMITH SOURCEBOOK