



DC4812VRF Solar Air Conditioner Heat Pump

Remote Controller Manual

Before using your solar air conditioner, please print and read this manual carefully and keep it for future reference.

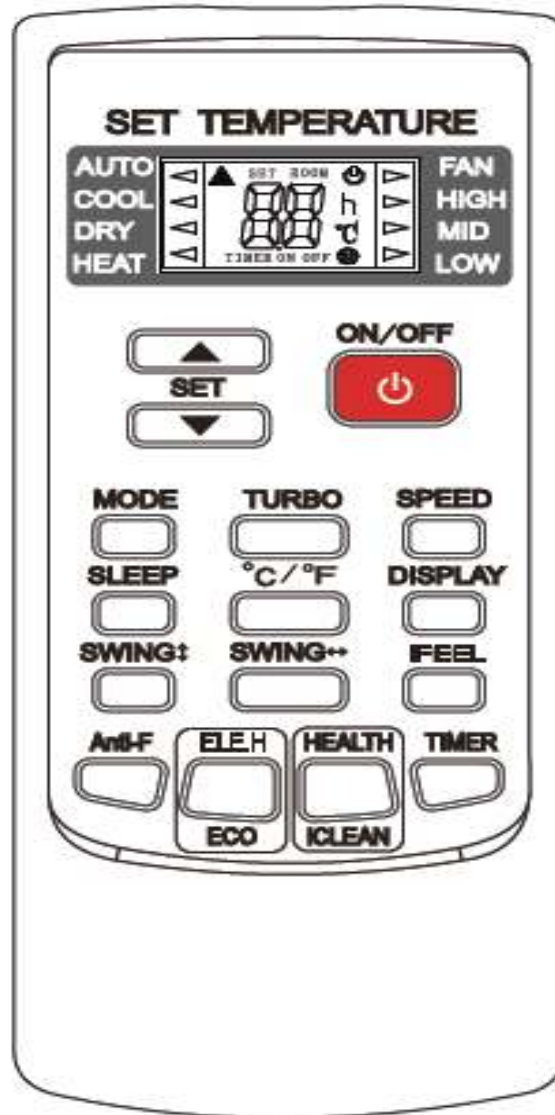
Notice to Owner

Please read this installation manual completely before using the product. If the power cord is damaged, replacement must be performed by authorized personnel only. Installation work must be performed in accordance with the NEC and local codes. You should contact a licensed service technician for installation, repair, or maintenance.

Improper installation could damage the system and/or void the warranty and could result in injury, death, or property damage.

Version 1.0

AIR-CONDITIONER REMOTE CONTROLLER INSTRUCTIONS



- Carefully read these “instructions” for safe and correct use of the air-conditioner.
- Carefully keep the “instructions” manual as it can be referred to at any time.

CONTENTS

Precautions -----1

Button descriptions-----2

Usage-----6

Install batteries-----6

Automatic operation mode-----6

Cooling / Heating Operation mode-----6

Fan operation mode -----7

Drying operation mode-----7

Backlight Function -----7

Precautions

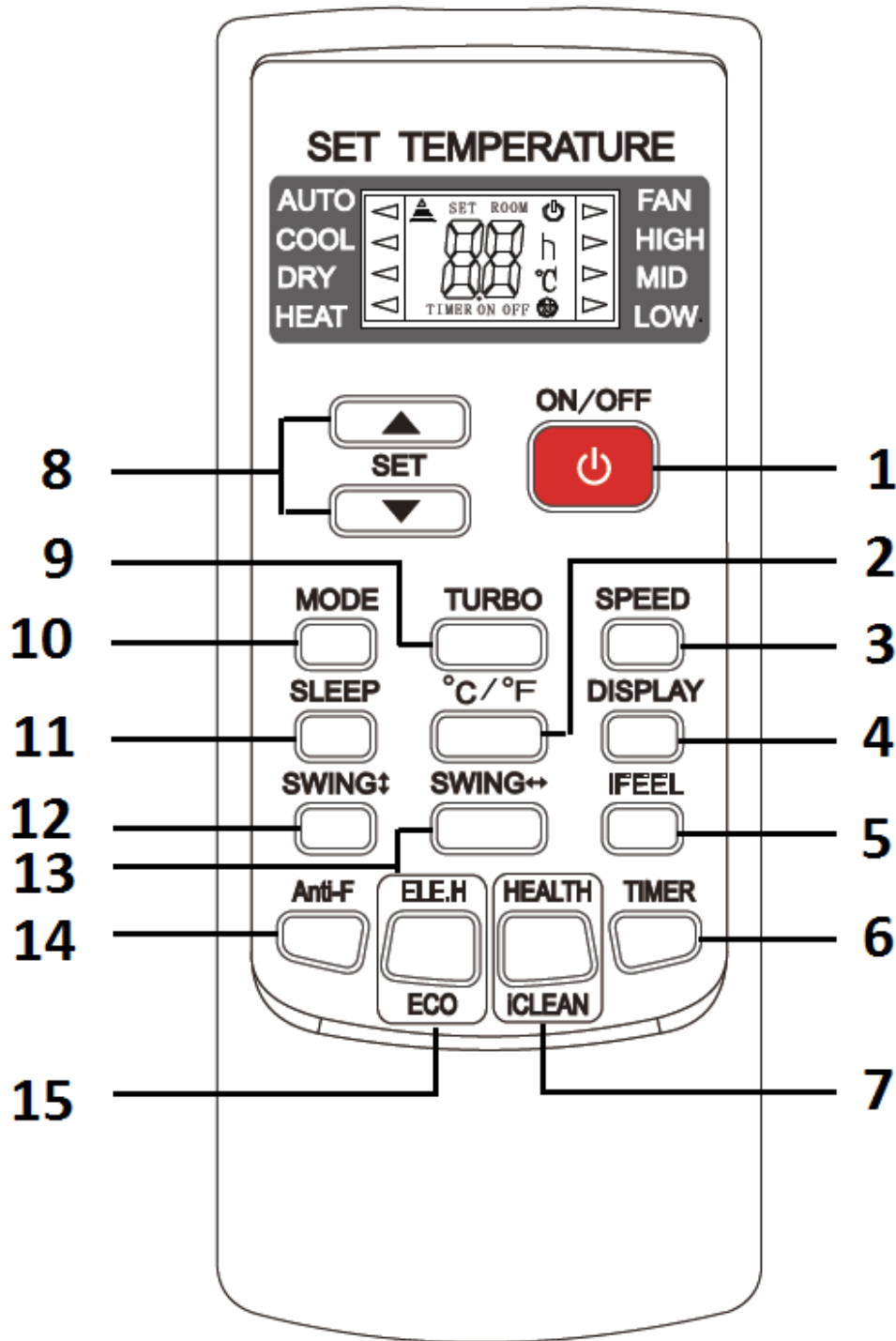
- Before using the remote controller, install the batteries and ensure the “+” and “-” poles are correctly positioned.
- Ensure the remote controller is pointed at the signal receiving window, and that there is no obstruction in between. The working distance is 8m maximum.
- Do not drop the remote controller. Do not let the remote controller get wet. Do not expose the remote controller directly to sunlight or excessive heat.
- If the remote controller does not function normally, remove the batteries for 30 seconds before reinstalling them. If that doesn't work, replace the batteries.
- When replacing the batteries, do not mix the new batteries with old ones or mix batteries of different types, which could cause failure of the remote controller.
- If the remote controller is not to be used for a long period of time, remove the batteries from the remote, or they may damage the remote controller.
- Properly dispose of the discarded batteries.

Note:

1. This is a universal remote controller which provides all the function buttons. Please understand that some of the buttons may not function, depending on the specific air conditioner you have purchased. (If a specific function is not available on the air conditioner, pressing the corresponding button will simply have no response.)

2. HEAT and ELE.H functions are not available for cool only models, thus these two buttons do not work at the same time.

AIR-CONDITIONER REMOTE CONTROLLER INSTRUCTIONS



Button Descriptions

1. ON/OFF

Press this button to turn on/off the unit.
This will clear the existing timer and SLEEP settings.

2. °C/°F

Press this button to set the temperature display to Fahrenheit, which is displayed by default in Celsius. The “°C” will not be displayed on the LCD.

3. SPEED

Press this button, you can select the fan speed as follows:

↳ Low → Mid → High → Auto

Note: AUTO air speed is not available in FAN mode.

4. DISPLAY

Press this button to turn on/off the display. This is for the convenience of users who are unconformable sleeping with the backlight on.

5. iFEEL

Press this button to set the temperature display on the remote controller to ambient temperature and press this button again to set it to preset temperature.


6. TIMER

With the unit ON, press this button to set OFF timer or with it OFF to set ON timer.

Press this button once, a "ON(OFF)" will flash. Press "▲" or "▼" to set the number of hours in which the unit will be turned ON/OFF, with an interval of 0.5 hour if less than 10 hours, or 1 hour if longer than 10 hours, and a range of 0.5-24 hours. Press it again to confirm the setting, the "ON (OFF)" will stop flashing.

If the timer button is not pressed longer than 10 seconds after the "ON (OFF)" start flashing, the timer setting will be exited. If a timer setting is confirmed, pressing this button again will cancel it.

Note: When a ON timer is set, all function buttons (except SLEEP, DISPLAY and iFEEL can't be set) are valid and when the ON time set is up, the unit will operate as preset.

7.  This button has two functions.

a. HEALTH

Press this button with the unit ON to activate health related functions, such as negative ion, electrostatic precipitation, PM2.5 removal, etc, depending on the actual configuration of each model.

Press this button again to deactivate the HEALTH function.

b. iCLEAN

Press this button with the unit OFF, the remote controller will display “CL” and the unit will automatically clean dust off the evaporator and dry it, to increase the cooling and heating efficiency.

The iCLEAN function runs for approximately 30 minutes, during which if the unit is turned on with the remote controller or this button is pressed again, the iCLEAN will be deactivated.

8. ▲ or ▼

Each time the " ▲ is pressed, the temperature setting will increase by 1 °C and each time the " ▼ is pressed, it will decrease by 1 °C.

The temperature setting ranges from 16 °C (60 °F) ~ 32 °C (90 °F).

Note: The temperature cannot be set in AUTO or FAN mode, thus these two buttons are not functional.

9. TURBO

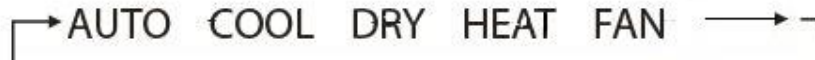
Press this button only in COOL or HEAT mode to set TURBO on or off to speed up the cooling or heating.

When TURBO is on, the air speed is HIGH.

When TURBO is off, the air speed will restore to previous status.

10. MODE

Press this button, you can select the running mode as follows:



Note: HEAT mode is not available for cool only units.

11. SLEEP

Press this button to enter SLEEP mode, which the unit will exit after 10 hours of continuous operation and restore to the previous status.

Note: The SLEEP function cannot be activated in FAN mode.

12. SWING↑

Press this button to activate up/down swing and press it again to fix the swing position.

13. SWING↔

Press this button to activate left/right swing and press it again to fix the swing position.

14 .Anti-F

The Anti-F functions when the unit is turned off with the remote controller in COOL, DRY or AUTO mode. It will operate in HEAT mode (FAN mode for cool only units), with the internal fan running with weak flow for 3 minute before stop, to remove the moisture within the evaporator so as to prevent it from giving off bad smell from mold.

This function is not set in the factory. You may set it or cancel it any time you want as follows: With both the unit and the remote controller OFF, point the remote controller at the unit and press "Anti-F" button once, the buzzer will sound 5 times after 5 times, indicating this function is set. Once set, this function will remain valid except when the unit is power off or until it is canceled.

To cancel Anti-F:

1. Power off the unit.
2. With both the unit and the remote controller OFF, point the remote controller at the unit and press this button once, the buzzer will sound 3 times after 5 times, indicating this function is canceled.

Note:

With Anti-F activated, it is advised not to turn ON the unit again before it is fully OFF.

Anti-F function will be invalid when OFF timer is set.

15.  This button has two functions.

a. ELE.H

If this button is pressed in HEAT mode, the electric heating will be turned on/off.

b. ECO

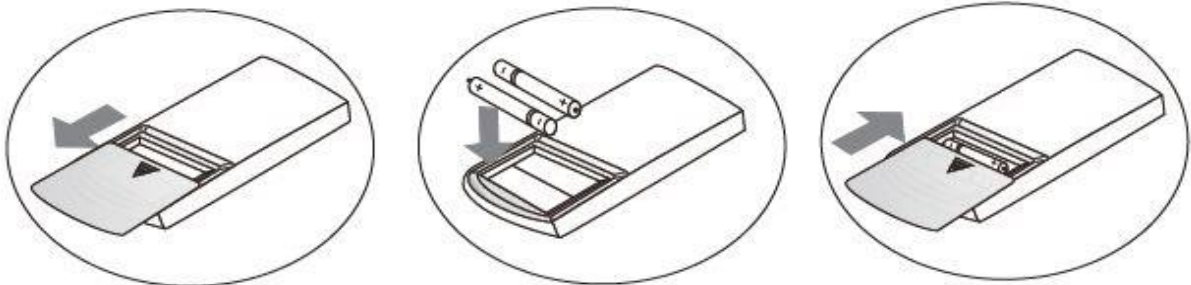
If this button is pressed in COOL mode, the unit will enter the ECO mode which has the lowest electricity consumption, and exit it automatically 8 hours after.

Changing modes or turning off the remote controller will automatically cancel the ECO function.

Press ECO button in ECO mode to exit this mode.

Note: The ECO mode only works for inverter units.

Battery Replacement



1. Slide to open the cover according to the direction indicated by the arrowhead.
2. Insert two brand new batteries (7#), and position the batteries to the right electric poles (+ & -).
3. Put back the cover.

★ Automatic operation mode

1. Press the “MODE” button, select the automatic operation mode.
2. By pressing the “SPEED” button, you can select the fan speed from LOW, MID, HIGH, AUTO.
3. Press the “ON/OFF” button, the air-conditioner starts to operate.
4. Press the “ON/OFF” button again, the air-conditioner stops.

Note: In the fan operation mode, the temperature settings is non-effective.

★ Cooling/Heating operation mode

1. Press the “MODE” button, select the Cooling or Heating operation mode.
2. By pressing the “▲” or “▼” button, you can set the temperature range from 16°C (60°F) ~ 32°C (90°F), the display changes as you touch the button.
3. By pressing the “SPEED” button, you can select the fan speed from LOW, MID, HIGH, AUTO.
4. Press the “ON/OFF” button, the air-conditioner starts to operate.
5. Press the “ON/OFF” button again, the air-conditioner stops.

Operation

★ Fan operation mode

1. Press the “MODE” button, select the fan operation mode.
2. By pressing the “SPEED” button, you can select the fan speed from LOW, MID, HIGH.
3. Press the “ON/OFF” button, the air-conditioner starts to operate.
4. Press the “ON/OFF” button again, the air-conditioner stops.

Note: In the fan operation mode, the temperature settings is non-effective.

★ Drying operation mode

1. Press the “MODE” button, select the drying operation mode.
2. By pressing the “▲” or “▼” button, you can set the temperature range from 16°C (60°F) ~ 32°C (90°F), the display changes as you touch the button.
3. By pressing the “SPEED” button, you can select the fan speed from LOW, MID, HIGH, AUTO.
4. Press the “ON/OFF” button, the air-conditioner starts to operate.
5. Press the “ON/OFF” button again, the air-conditioner stops.

★ Backlight function (for remote controllers with such function only)

The remote controller has a backlight which can be turned on by pressing any button for the convenience of operation in darkness. The backlight will be automatically turned off if there is no operation within 10 seconds.