



# 12K™ BROCHURE

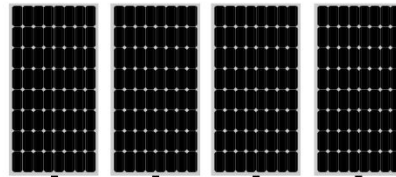


Cloud Monitoring & Programming

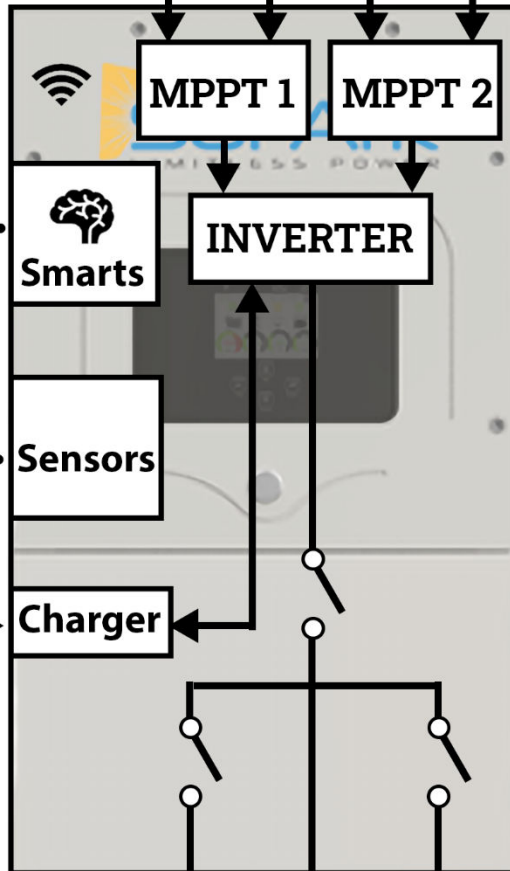
**Modes:**  
Grid Sell, Off-Grid, Meter Zero, Time of Use, & Peak Shaving

RSD/Emergency Stop, External CT Sensors, Parallel Comms/Battery Comms, Auto Gen Start

**Battery Agnostic**  
48V Nominal & at least 50Ah



**13kW DC Coupling**  
150V-425V @ 20A per MPPT



**4ms UPS**  
No-Glitch Transfer

**Smart Load**  
Prioritize Necessities & Run Luxuries With Less

**Gen Breaker**  
Up to 12kW Generator Input

**Grid or Generator**  
63A Passthrough

**Off-Grid Loads**  
9kW Continuous  
16kW Peak

**AC Coupling**  
9.6kW Output



12K<sup>®</sup>



**Install Simplicity**  
 You don't have to piece together multiple parts to get basic functions. Ours does it all, does it better, and does it with simplicity.

**7 Day/Week Engineering & Customer Support**

Sol-Ark beats all competition at customer support. Our engineers assist with all questions, diagnoses, and remote unit management. We solve virtually any problem without a site visit.

**Highest Rated Reviews On Energy Sage**

Feature Comparison	Sol-Ark 12K	Tesla Powerwall2 x 2	Generac PWRcell	LG/SolarEdge EnergyHub	Enphase Encharge 10
<b>Install Simplicity</b>	Entire Home Transfer Switch, All-In-One Hybrid, Some Load mgmt.	Entire Home Transfer Switch. <b>No Load mgmt.</b>	Entire Home Transfer Switch, All-In-One Hybrid, 8ch Load mgmt.	Entire Home Transfer Switch. <b>No Load mgmt.</b>	Entire Home Transfer Switch. <b>No Load mgmt.</b>
<b>7 Day Single Support Line For Solar + Storage for both installer and end-user</b>	Yes	No	Yes	No	Yes
<b>Peak Current (Off-Grid) Higher Power = Fewer Support Calls</b>	67A	60 A	50 A	30 A	24.6 A
<b>Continuous PV to AC Power (On-Grid)</b>	9 kW	15.2 kW	7.6 kW	7.6 kW	10-15kW
<b>Continuous Batt Power (On/Off-Grid)</b>	9 kW	10kW	7.6kW	5kW	3.84kW
<b>Battery Life Span</b>	16 Years (LFP) No Cooling Needed	10 Years NMC Must Active Cool	10 Years NMC Must Active Cool	7 Years NMC Only Passive Cooling	16 Years (LFP) No Cooling Needed
<b>Hardware Reliability</b>	20+ Year Design Life, Electronics Isolated from Environment	20+ Year Design Life, Electronics Isolated from Environment	10 Year Life, Electronics Exposed to Humidity & Dust or Clogged Filter	20+ Year Design Life, Electronics Isolated from Environment	20+ Year Design Life, Electronics Isolated from Environment
<b>AC Coupling for Easy Upgrades</b>	Yes	Yes	No	Yes	Yes
<b>Charging Battery from Generators</b>	Yes	No	No	No	No
<b>PV to Batt to AC Efficiency</b>	93%	87%	85%	82%	87%
<b>Fleet Mgmt Tool w/ Remote Setup</b>	Yes	No	Yes	Yes	Yes
<b>Customer Satisfaction Rating / Reviews</b>	5.0 x 82	4.0 x 210	5.0 x 1	3.0 x 19	3.5 x 24