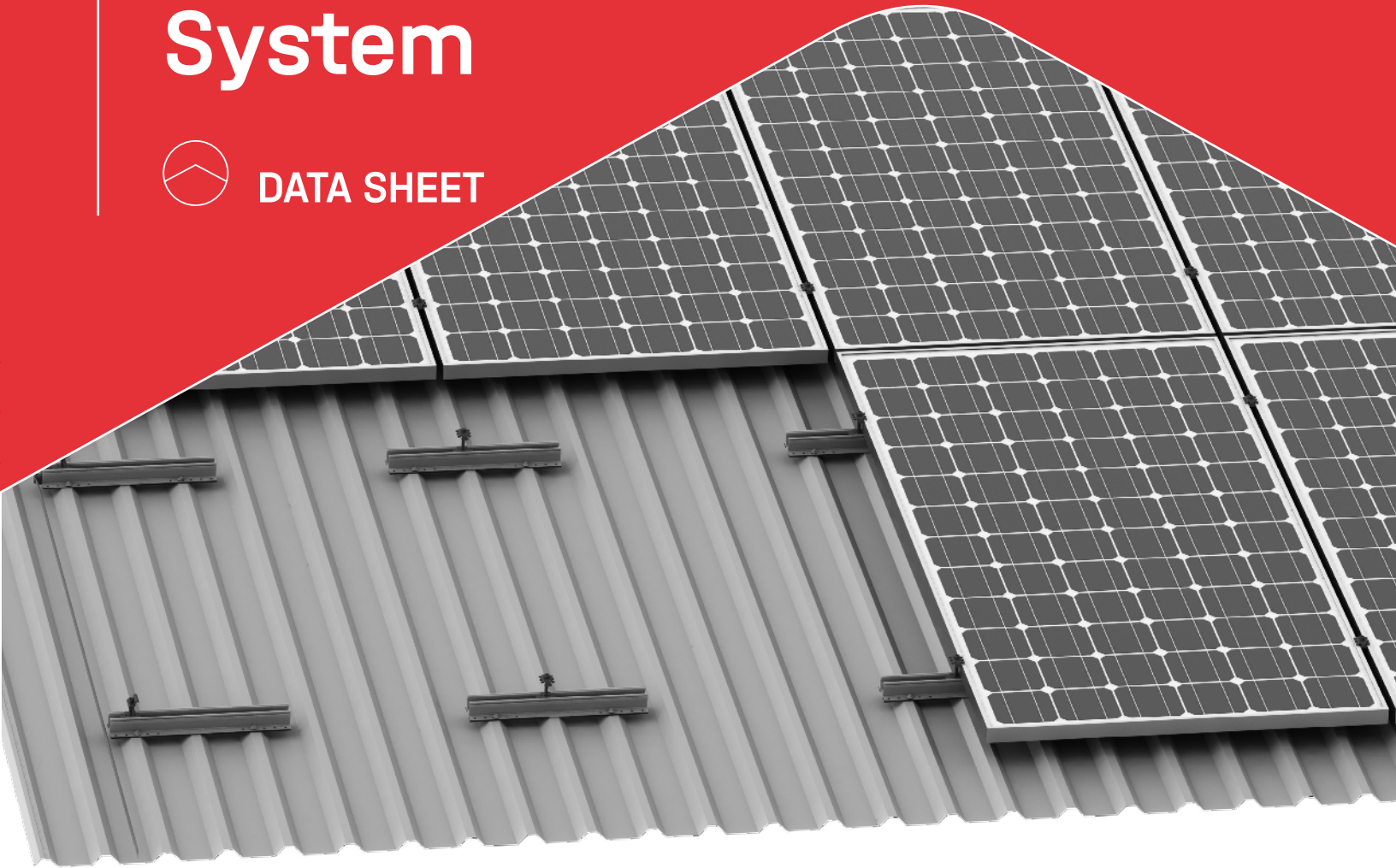


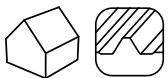
# MiniRail XPress System



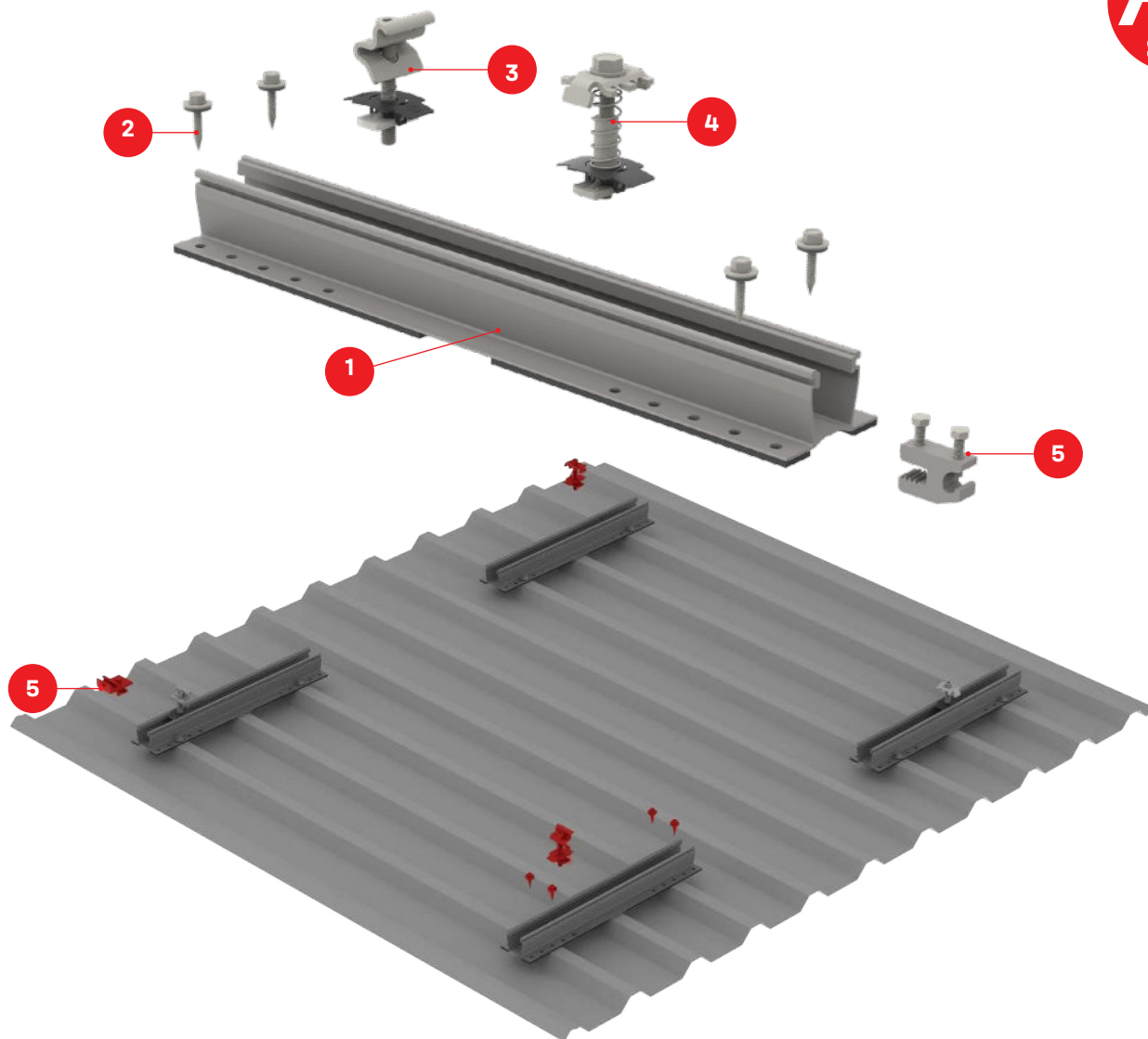
DATA SHEET



## PRODUCT FEATURES

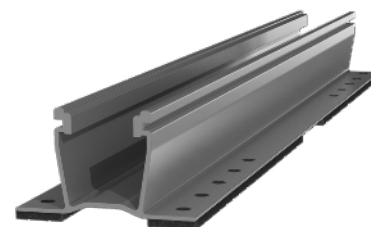


- / High quality, German-engineered system optimized for residential installations
- / Design flexibility with 17" sections of rail
- / Redundant waterproofing with EPDM backed base and washers
- / Simple 3 part installation
- / MK3 technology provides highest rail engagement
- / 100% code compliant, structural validation for all solar states
- / Minimize pallet and freight costs
- / Simple to design using our code compliant online design tool, Base



## TECHNICAL DATA

Item Number	Description	Part Number
1	MiniRail XPRress Base 17in w/EPDM, Mill	4000667
2	MiniRL Screw w/EPDM JF3, 29g, 25mm	4000672
3	End Clamp	4000429 (mill), 4000430 (dark)
4	Mid Clamp	4000601-H (mill), 4000602-H (dark)
5	ILSCO, SGB-4, 4-14 SOL-STR OR K2 Ground Lug	4000960 4000006-H



# MINIRAIL XPRESS

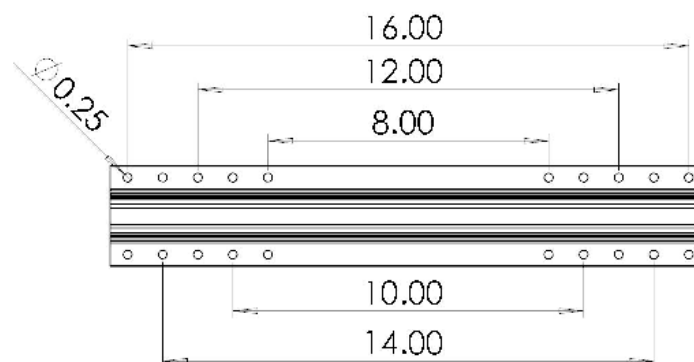
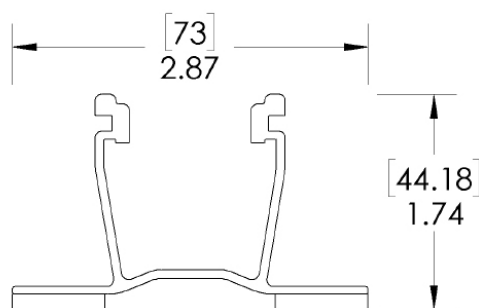
## Mechanical Properties

	MiniRail XPRESS
Material	6000 Series Aluminum, stainless steel MiniRail Screw
Ultimate Tensile Strength	37.7 ksi (260 MPa)
Yield Strength	34.8 ksi (240 MPa)
Weight	0.84 lbs/pc (0.378 kg/pc)
Finish	Mill

## Sectional Properties

	MiniRail XPRESS
Sx	0.183 in <sup>3</sup> (2.9988 cm <sup>3</sup> )
Sy	0.176 in <sup>3</sup> (2.8841 cm <sup>3</sup> )
A (X-Section)	0.507in <sup>2</sup> (3.2709 cm <sup>2</sup> )

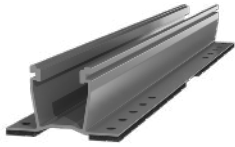
Units: [mm] in



### Notes:

- / Structural values and span charts determined in accordance with Aluminum Design Manual and ASCE 7-16
- / UL2703 Listed System for Fire and Bonding

# Components



**MiniRail XPRESS Base**

Part Number	Description
4000667	MiniRail XPRESS Base 17" w/EPDM, Mill
4000073	MiniRail XPRESS Base Set, Mill



**MiniRail Screw**

Part Number	Description
4000672	MiniRail Screw w/EPDM JF3, 29g, 25mm



**Mid Clamp**

Part Number	Description
4000601-H	CR MC Silver 30-47mm, 13mm Hex
4000602-H	CR MC Dark 30-47mm, 13mm Hex



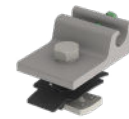
**End Clamp**

Part Number	Description
4000429	CR EC Silver 30-50mm, SR 33-40mm
4000430	CR EC Dark 30-50mm, SR 33-40mm
4000003	Shared Rail End Clamp Silver 46-50mm
4000004	Shared Rail End Clamp Dark, 46-50mm



**Yeti Clamp**

Part Number	Description
4000050-H	Yeti Hidden EC for CR, 13mm Hex Set



**K2 Ground Lug**

Part Number	Description
4000006-H	K2 Ground Lug, 13mm Hex Set

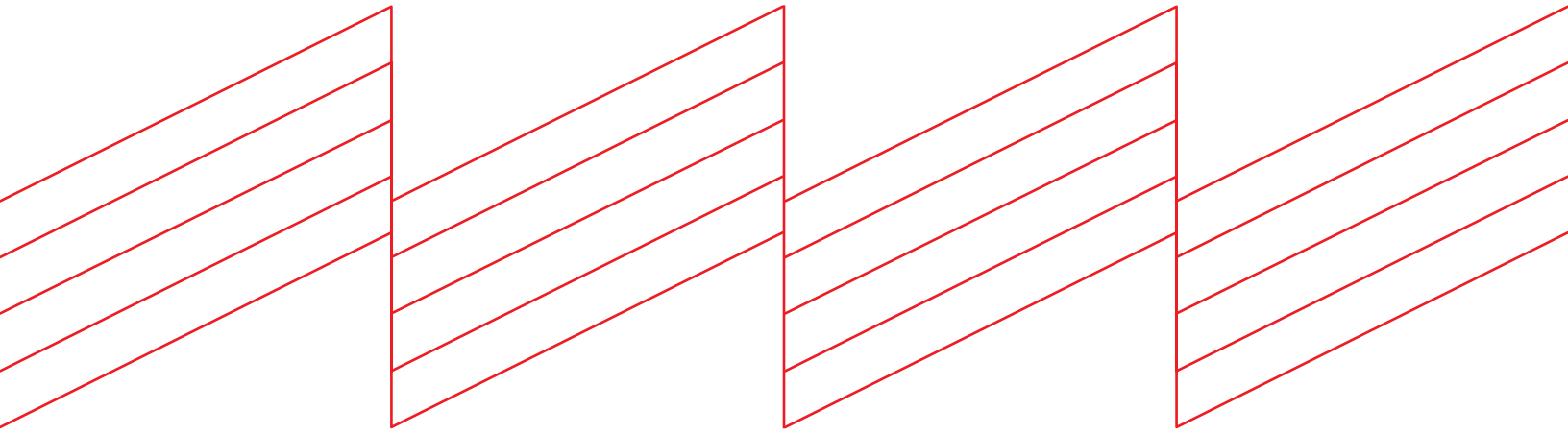


**Wire Management**

Part Number	Description
4000069	Wire Management Clip, TC
4000382	HEYClip SunRunner Cable Clip SS, S6404



# Connecting Strength



## K2 Systems, LLC

4665 North Ave. Suite I • Oceanside, CA 92056 •  
USA +1.760.301.5300 • [infous@k2-systems.com](mailto:infous@k2-systems.com)  
[www.k2-systems.com](http://www.k2-systems.com)

MiniRail XPress Data Sheet V1 | 0323 • Subject to change  
Product illustrations are exemplary and may differ from the original.